

Client _____ Quantity _____
 Project _____ Position _____

Modi Up Blast Chiller Counter

Model: WTA7U

Cod: W17073012001

Tavolo abbattitore multifunzione Modi versione Up 7 teglie piano con alzatina, Plug-In con condensazione ad aria. Range di temperatura -40°+ 10°C è dotato delle funzioni: abbattimento, surgelazione, ciclo manuale. Modalità di funzionamento con ricette personalizzabili, a tempo o con sonda al cuore. Ventilazione regolabile 25-100%. Dotato di 7 coppie guida per teglie GN1/1-EN60x40. Sistema Cosmo per la connessione wi-fi e monitoraggio da remoto.



Technical data

Top:	Reinforced worktop with in order to place an oven
Gross capacity:	248 lt
Temperature range:	-40°+10°C
Ventilation range:	25% - 100%
Humidifier:	Not available
Refrigerant unit:	Plug-In
Yield +90 / +3:	34 Kg
Yield +90 / -18:	24 Kg
Climate class:	5
Cooling gas:	R452a
Defrost:	Hot gas
Body height:	710 mm
Valve:	Electronic expansion valve
Dimensions (mm):	1400×700×950 mm
Packing dimensions:	1545×900×998 mm
Gross weight:	165 Kg
Voltage:	220-240 V - 50 Hz
Total rate:	1350 W
Absorbed Current:	6,52 A
Cooling capacity:	2084 W*
*:	Evap. -10°C Cond. +45°C

Features

Functions:	Blast chilling, shock freezing, continuous cycle
Standard equipment:	7 slides GN1/1, EN60x40
Control:	4,3" touch screen display with USB port
Door gasket:	Magnetic, triple chamber and easily replaceable
Core probe:	Needle probe with 1 reading point, quick-release and easily replaceable
Insulation:	60 mm thickness - CFC/HCFC free
Exterior/interior finishing:	Exterior and interior AISI 304 stainless steel.
Inner corners:	Rounded for easy cleaning and ensuring maximum hygiene
Handle:	Stainless steel AISI 304, 2 mm thick
Racks and slides:	Stainless steel AISI 304, quick release
Feets:	Stainless steel AISI 304, adjustable h 100-150 mm
Cosmo:	Wi-Fi remote control system

Accessories and variants

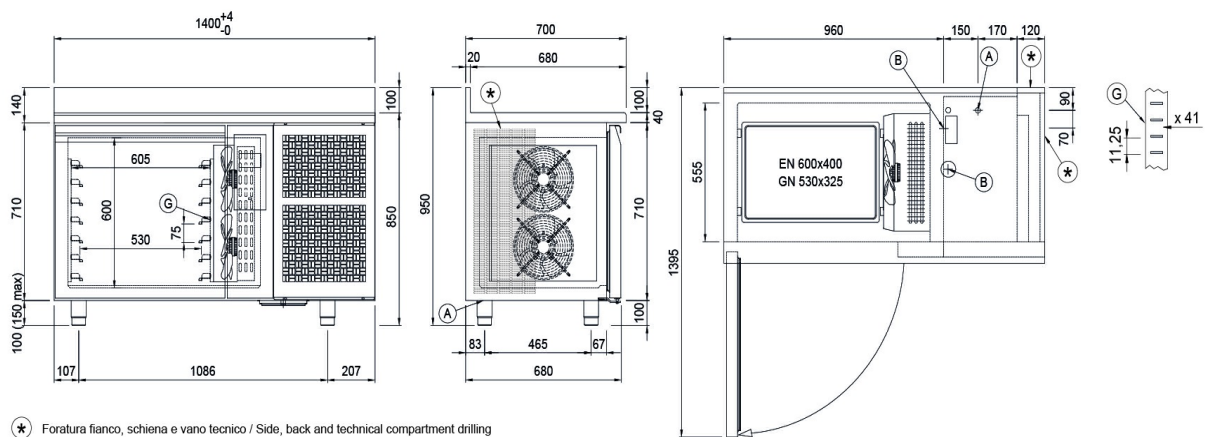
- _____ RAL customisable colouring
- _____ Sonda al cuore a 3 punti di lettura
- _____ Sonda al cuore riscaldata a 1 punto di lettura
- _____ Inversione apertura porta
- _____ Power supply frequency 60Hz
- _____ Other special voltage
- _____ Lowered foot h 55/70 mm
- _____ 4 Swivel and brake castors h 128 mm
- _____ Stainless steel shelf GN1/1
- _____ Plastic coated shelf GN1/1
- _____ Stainless steel shelf EN60x40
- _____ Plastic coated shelf EN60x40
- _____ Pair of type L slides 398 mm GN-EN
- _____ Sterilizing UV lamp (U version)

COSMO - wi-fi control

Cosmo is the wi-fi technology that allow to connect, update and monitor with a smartphone the MODI blast chiller. MODI is also a Cosmo hub and allow remote supervision of the Coldline devices connected to it.

*The installation requires a kit for the replacement of the racks

Technical draw



- A:** Power supply cable outlet
- B:** Condensation water drain
- G:** Racks pitch
- J:** Automatic evaporation of condensing water

In order to constantly offer the best possible products we reserve the right to make changes on technical specifications without incurring any obligation for equipment previously or subsequently sold.