

Client \_\_\_\_\_ Quantity \_\_\_\_\_  
 Project \_\_\_\_\_ Position \_\_\_\_\_

## Master GN counter 2 doors

**Model:** TP13/1M-710

**Cod:** T10201000201



Tavolo refrigerato Master con piano, Plug-In, 2 porte con altezza corpo tavolo 710 mm, classe energetica A, classe climatica 5 heavy duty e gas refrigerante ecologico R290. Completo di 1 griglia GN1/1, configurabile con cassettiere 1/2+1/2, 1/3+2/3, 1/3+1/3+1/3. Range di temperatura -2°+8°C con refrigerazione ventilata. Struttura con isolamento 60 mm. Interno/esterno in acciaio inox AISI 304 compreso schiena esterna, fondo esterno in acciaio colaminato. Realizzato con tecnologia FSS - Fast Service System - per un service facile e veloce. Predisposto per collegamento a sistema di supervisione remoto.

### Technical data

|                                 |                                 |
|---------------------------------|---------------------------------|
| <b>Top:</b>                     | With top                        |
| <b>Gross capacity:</b>          | 280 lt                          |
| <b>Temperature range:</b>       | -2°+8°C                         |
| <b>Refrigerant unit:</b>        | Plug-In                         |
| <b>Energetic class:</b>         | A                               |
| <b>Energy efficiency index:</b> | 23,3                            |
| <b>Annual consumption:</b>      | 527 kW/h annum                  |
| <b>24h consumption:</b>         | 1,444 kW/h/24h                  |
| <b>Climate class:</b>           | 5                               |
| <b>Cooling gas:</b>             | R290                            |
| <b>Defrost:</b>                 | Hot gas                         |
| <b>Body height:</b>             | 710 mm                          |
| <b>Valve:</b>                   | Supplied standard with solenoid |
| <b>Dimensions (mm):</b>         | 1300×700×850 mm                 |
| <b>Packing dimensions:</b>      | 1395×800×998 mm                 |
| <b>Gross weight:</b>            | 135 Kg                          |
| <b>Voltage:</b>                 | 220-240 V - 50 Hz               |
| <b>Total rate:</b>              | 250 W                           |
| <b>Absorbed Current:</b>        | 1,15 A                          |
| <b>Cooling capacity:</b>        | 406 W*                          |
| <b>*:</b>                       | Evap. -10°C Cond. +55°C         |

### Features

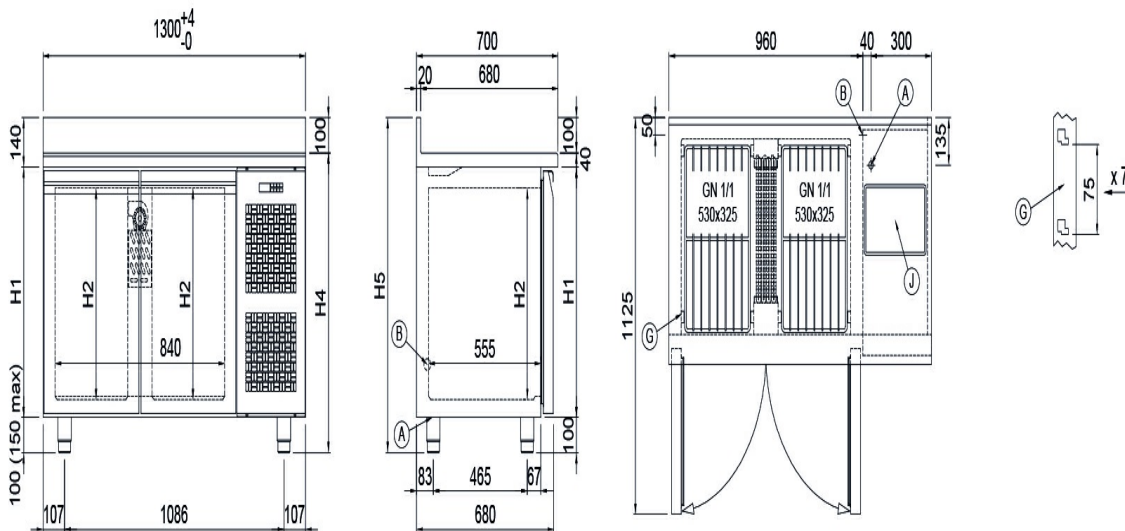
|                                     |   |
|-------------------------------------|---|
| <b>Standard equipment:</b>          | 2 slides, 2 plastic coated GN1/1 shelves  |
| <b>Control:</b>                     | Electronic, display flush with the panel  |
| <b>Doors:</b>                       | 2 doors, self-closing, reversible with 105° stop                                  |
| <b>Door gasket:</b>                 | Magnetic, triple chamber and easily replaceable                                   |
| <b>Insulation:</b>                  | 60 mm thickness - CFC/HCFC free   |
| <b>Exterior/interior finishing:</b> | Exterior interior and back in AISI 304 stainless steel. Base in colaminated steel |
| <b>Inner corners:</b>               | Rounded for easy cleaning and ensuring maximum hygiene                            |
| <b>Handle:</b>                      | Stainless steel AISI 304, 2 mm thick  |
| <b>Racks and slides:</b>            | Stainless steel AISI 304  |
| <b>Feets:</b>                       | Stainless steel AISI 304, adjustable h 100-150 mm                                 |
| <b>Cosmo:</b>                       | Ready for connection to Cosmo Hub   |

## Accessories and variants

|                                     |  |
|-------------------------------------|--|
| Drawers 1/2                         | Granite flat worktop                                 |
| Drawers 1/3                         | Granite worktop with splashback                      |
| Drawers 1/3 + 2/3                   | Service water sink Ø 300 mm                          |
| Special counter body heights 650 mm | Single lever mixer hole Ø 3/4                        |
| Special counter body heights 700 mm | Adjustable feet h 145/195 mm                         |
| Special counter body heights 750 mm | 4 Swivel and brake castors h 128 mm                  |
| Technical compartment on the left   | Brackets for GN pans for drawer                      |
| Lock with key for drawer 1/2        | GN1/2 container + lids kit for drawer, h 150 mm      |
| Lock with key for drawer 1/3        | GN1/3 container + lids kit for drawer, h 150 mm      |
| Lock with key for drawer 1/3 + 2/3  | Bottles shelf, stainless steel coating for shelf 350 |
| Glass door                          | Stainless steel shelf GN1/1                          |
| LED lighting                        | Plastic coated shelf GN1/1                           |
| RAL customisable colouring          | Pair of type C slides 505 mm                         |
| Plug-in water unit                  | Serial interface, RS485 cable                        |
| Stainless steel evaporator          | Cosmo connection kit                                 |
| Power supply frequency 60Hz         | IP44 schuko socket with cover                        |
| Other special voltage               | Removable plinth GN 2D h 50 mm                       |
| Internal hygiene H3                 | Removable plinth GN 2D h 100 mm                      |

\*The installation requires a kit for the replacement of the racks

## Technical draw



| H1  | H2  | H4  | H5  |
|-----|-----|-----|-----|
| 710 | 600 | 850 | 950 |

**A:** Power supply cable outlet

**B:** Condensation water drain

**G:** Racks pitch

**J:** Automatic evaporation of condensing water

In order to constantly offer the best possible products we reserve the right to make changes on technical specifications without incurring any obligation for equipment previously or subsequently sold.