

Client \_\_\_\_\_ Quantity \_\_\_\_\_  
 Project \_\_\_\_\_ Position \_\_\_\_\_

## Snack GN counter 4 doors

**Model:** TP21/1M-490

**Cod:** T10401000204



Tavolo refrigerato Snack con piano, Plug-In, 4 porte con altezza corpo tavolo 490 mm, classe energetica B, classe climatica 5 heavy duty e gas refrigerante ecologico R290. Completo di 1 griglia GN1/1, configurabile con cassettiere 1/1, 1/2+1/2. Range di temperatura -2°+8°C con refrigerazione ventilata. Struttura con isolamento 60 mm. Interno/esterno in acciaio inox AISI 304 compreso schiena esterna, fondo esterno in acciaio colaminato. Realizzato con tecnologia FSS - Fast Service System - per un service facile e veloce. Predisposto per collegamento a sistema di supervisione remoto.

### Technical data

<b>Top:</b>	With top
<b>Gross capacity:</b>	380 lt
<b>Temperature range:</b>	-2°+8°C
<b>Refrigerant unit:</b>	Plug-In
<b>Energetic class:</b>	B
<b>Energy efficiency index:</b>	27,9
<b>Annual consumption:</b>	649 kW/h annum
<b>24h consumption:</b>	1,778 kW/h/24h
<b>Climate class:</b>	5
<b>Cooling gas:</b>	R290
<b>Defrost:</b>	Hot gas
<b>Body height:</b>	490 mm
<b>Valve:</b>	Supplied standard with solenoid
<b>Dimensions (mm):</b>	2260×700×630 mm
<b>Packing dimensions:</b>	2355×800×998 mm
<b>Gross weight:</b>	190 Kg
<b>Voltage:</b>	220-240 V - 50 Hz
<b>Total rate:</b>	250 W
<b>Absorbed Current:</b>	1,15 A
<b>Cooling capacity:</b>	406 W*
<b>*:</b>	Evap. -10°C Cond. +55°C

### Features

<b>Standard equipment:</b>	4 coppie guida, 4 griglie plastificate GN1/1
<b>Control:</b>	Electronic, display flush with the panel
<b>Doors:</b>	4 doors, self-closing, reversible with 105° stop
<b>Door gasket:</b>	Magnetic, triple chamber and easily replaceable
<b>Insulation:</b>	60 mm thickness - CFC/HCFC free
<b>Exterior/interior finishing:</b>	Exterior interior and back in AISI 304 stainless steel. Base in colaminated steel
<b>Inner corners:</b>	Rounded for easy cleaning and ensuring maximum hygiene
<b>Handle:</b>	Stainless steel AISI 304, 2 mm thick
<b>Racks and slides:</b>	Stainless steel AISI 304
<b>Feets:</b>	Stainless steel AISI 304, adjustable h 100-150 mm
<b>Cosmo:</b>	Ready for connection to Cosmo Hub

## Accessories and variants

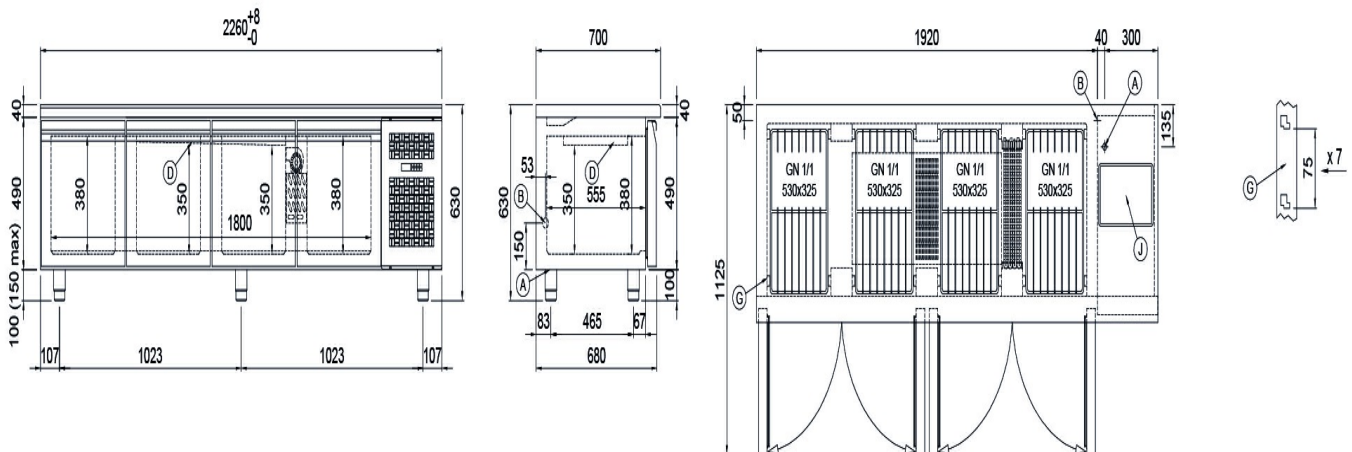
Drawers 1/1	Pair of type C slides 505 mm
Drawers 1/2	IP44 schuko socket with cover
Special size of technical compartment	Serial interface, RS485 cable
Technical compartment on the left	Cosmo connection kit
Lock with key for drawer 1/1	Removable plinth GN 4D h 50 mm
Lock with key for drawer 1/2	Removable plinth GN 4D h 100 mm
RAL customisable colouring	Removable plinth GN 4D h 150 mm
Plug-in water unit	
Power supply frequency 60Hz	
Other special voltage	
Adjustable feet h 145/195 mm	
6 Swivel and brake castors h 128 mm	
Brackets for GN pans for drawer	
GN1/2 container + lids kit for drawer, h 150 mm	
GN1/3 container + lids kit for drawer, h 150 mm	
Bottles shelf, stainless steel coating for shelf 350	
Stainless steel shelf GN1/1	
Plastic coated shelf GN1/1	

### COSMO - wi-fi control

Cosmo is the wi-fi technology that allow to connect and monitor all Coldline appliances. Connect Snack counters to a Cosmo hub (MODI, VISION or LEVTRONIC) and from the app you can check the operating conditions of each machine and receive alerts in case of abnormal functioning.

\*The installation requires a kit for the replacement of the racks

## Technical draw



**A:** Power supply cable outlet

**B:** Condensation water drain

**D:** Airflow conveyor

**C:** Racks pitch

**E:** Automatic evaporation of condensing water