

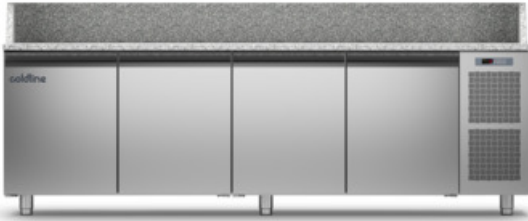
Client \_\_\_\_\_ Quantity \_\_\_\_\_  
 Project \_\_\_\_\_ Position \_\_\_\_\_

## Pizza EN60x40 counter 4 doors

**Model:** TZ21/1M-710

**Cod:** T40403000261

Tavolo refrigerato Pizza con piano in granito, Plug-In, 4 porte con altezza corpo tavolo 710 mm, classe energetica C, classe climatica 5 heavy duty e gas refrigerante ecologico R290. Completo di 16 coppie guide inox per teglie EN60x40 ed è configurabile con cassettiere refrigerate e neutre. Range di temperatura -2°+8°C con refrigerazione ventilata. Struttura con isolamento 60 mm. Interno/esterno in acciaio inox AISI 304 compreso schiena esterna, fondo esterno in acciaio colaminato. Realizzato con tecnologia FSS - Fast Service System - per un service facile e veloce. Predisposto per collegamento a sistema di supervisione remoto.



### Technical data

<b>Top:</b>	With top and splashback
<b>Gross capacity:</b>	825 lt
<b>Temperature range:</b>	-2°+8°C
<b>Refrigerant unit:</b>	Plug-In
<b>Energetic class:</b>	C
<b>Energy efficiency index:</b>	37,7
<b>Annual consumption:</b>	1165 kW/h annum
<b>24h consumption:</b>	3,192 kW/h/24h
<b>Climate class:</b>	5
<b>Cooling gas:</b>	R290
<b>Defrost:</b>	Hot gas
<b>Body height:</b>	710 mm
<b>Valve:</b>	Supplied standard with solenoid
<b>Dimensions (mm):</b>	2560×800×1040 mm
<b>Packing dimensions:</b>	2655×900×998 mm
<b>Gross weight:</b>	300 Kg
<b>Voltage:</b>	220-240 V - 50 Hz
<b>Total rate:</b>	250 W
<b>Absorbed Current:</b>	1,15 A
<b>Cooling capacity:</b>	406 W*
<b>*:</b>	Evap. -10°C Cond. +55°C

### Features

<b>Standard equipment:</b>	16 slides EN60x40
<b>Control:</b>	Electronic, display flush with the panel
<b>Doors:</b>	4 doors, self-closing, reversible with 105° stop
<b>Door gasket:</b>	Magnetic, triple chamber and easily replaceable
<b>Insulation:</b>	60 mm thickness - CFC/HCFC free
<b>Exterior/interior finishing:</b>	Exterior and interior AISI 304 stainless steel.
<b>Inner corners:</b>	Rounded for easy cleaning and ensuring maximum hygiene
<b>Handle:</b>	Stainless steel AISI 304, 2 mm thick
<b>Racks and slides:</b>	Stainless steel AISI 304
<b>Feets:</b>	Stainless steel AISI 304, adjustable h 100-150 mm
<b>Cosmo:</b>	Ready for connection to Cosmo Hub

## Accessories and variants

Drawers 1/2
Drawers 1/3
Drawers 1/3 + 2/3
Lock with key for drawer 1/2
Lock with key for drawer 1/3
Lock with key for drawer 1/3 + 2/3
Plug-in water unit
Power supply frequency 60Hz
Other special voltage
Adjustable feet h 145/195 mm
6 Swivel and brake castors h 128 mm
Frame fitted with telescopic EN60x40 slides
EN60x40 Pizza container h 60 mm
Aluminium coated backing-pan EN60x40 h 20 mm
Pair of type L slides 605 mm
Serial interface, RS485 cable
Cosmo connection kit
IP44 schuko socket with cover

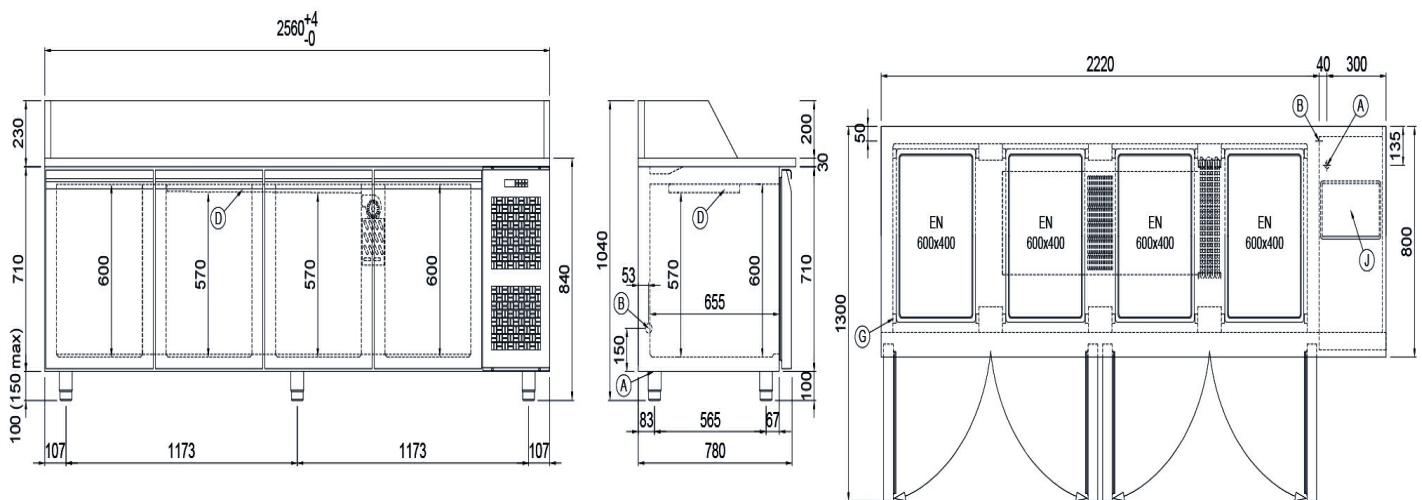
Removable plinth EN 4D h 50 mm
Removable plinth EN 4D h 100 mm
Removable plinth EN 4D h 150 mm

### COSMO - wi-fi control

Cosmo is the wi-fi technology that allow to connect and monitor all Coldline appliances. Connect Pizza counters to a Cosmo hub (MODI, VISION or LEVTRONIC) and from the app you can check the operating conditions of each machine and receive alerts in case of abnormal functioning.

\*The installation requires a kit for the replacement of the racks

## Technical draw



- |                                     |   |                            |
|-------------------------------------|---|----------------------------|
| <b>A:</b> Power supply cable outlet | <b>B:</b> Condensation water drain                  | <b>D:</b> Airflow conveyor |
| <b>G:</b> Racks pitch               | <b>J:</b> Automatic evaporation of condensing water |                            |

In order to constantly offer the best possible products we reserve the right to make changes on technical specifications without incurring any obligation for equipment previously or subsequently sold.