

Client \_\_\_\_\_ Quantity \_\_\_\_\_  
 Project \_\_\_\_\_ Position \_\_\_\_\_

## Pizza EN60x40 counter 2 doors

**Model:** TZ13/1M-710

**Cod:** T40203000261



Tavolo refrigerato Pizza con piano in granito, Plug-In, 2 porte con altezza corpo tavolo 710 mm, classe energetica B, classe climatica 5 heavy duty e gas refrigerante ecologico R290. Completo di 8 coppie guide inox per teglie EN60x40 ed è configurabile con cassettiere refrigerate e neutre. Range di temperatura -2°+8°C con refrigerazione ventilata. Struttura con isolamento 60 mm. Interno/esterno in acciaio inox AISI 304 compreso schiena esterna, fondo esterno in acciaio colaminato. Realizzato con tecnologia FSS - Fast Service System - per un service facile e veloce. Predisposto per collegamento a sistema di supervisione remoto.

### Technical data

<b>Top:</b>	With top and splashback
<b>Gross capacity:</b>	389 lt
<b>Temperature range:</b>	-2°+8°C
<b>Refrigerant unit:</b>	Plug-In
<b>Energetic class:</b>	B
<b>Energy efficiency index:</b>	32,1
<b>Annual consumption:</b>	803 kW/h annum
<b>24h consumption:</b>	2,2 kW/h/24h
<b>Climate class:</b>	5
<b>Cooling gas:</b>	R290
<b>Defrost:</b>	Hot gas
<b>Body height:</b>	710 mm
<b>Valve:</b>	Supplied standard with solenoid
<b>Dimensions (mm):</b>	1450×800×1040 mm
<b>Packing dimensions:</b>	1545×900×998 mm
<b>Gross weight:</b>	220 Kg
<b>Voltage:</b>	220-240 V - 50 Hz
<b>Total rate:</b>	250 W
<b>Absorbed Current:</b>	1,15 A
<b>Cooling capacity:</b>	406 W*
<b>*:</b>	Evap. -10°C Cond. +55°C

### Features

<b>Standard equipment:</b>	8 slides EN60x40
<b>Control:</b>	Electronic, display flush with the panel
<b>Doors:</b>	2 doors, self-closing, reversible with 105° stop
<b>Door gasket:</b>	Magnetic, triple chamber and easily replaceable
<b>Insulation:</b>	60 mm thickness - CFC/HCFC free
<b>Exterior/interior finishing:</b>	Exterior and interior AISI 304 stainless steel.
<b>Inner corners:</b>	Rounded for easy cleaning and ensuring maximum hygiene
<b>Handle:</b>	Stainless steel AISI 304, 2 mm thick
<b>Racks and slides:</b>	Stainless steel AISI 304
<b>Feets:</b>	Stainless steel AISI 304, adjustable h 100-150 mm
<b>Cosmo:</b>	Ready for connection to Cosmo Hub

## Accessories and variants

Drawers 1/2
Drawers 1/3
Drawers 1/3 + 2/3
Lock with key for drawer 1/2
Lock with key for drawer 1/3
Lock with key for drawer 1/3 + 2/3
Plug-in water unit
Power supply frequency 60Hz
Other special voltage
Adjustable feet h 145/195 mm
4 Swivel and brake castors h 128 mm
Frame fitted with telescopic EN60x40 slides
EN60x40 Pizza container h 60 mm
Aluminium coated backing-pan EN60x40 h 20 mm
Pair of type L slides 605 mm
Serial interface, RS485 cable
Cosmo connection kit
IP44 schuko socket with cover

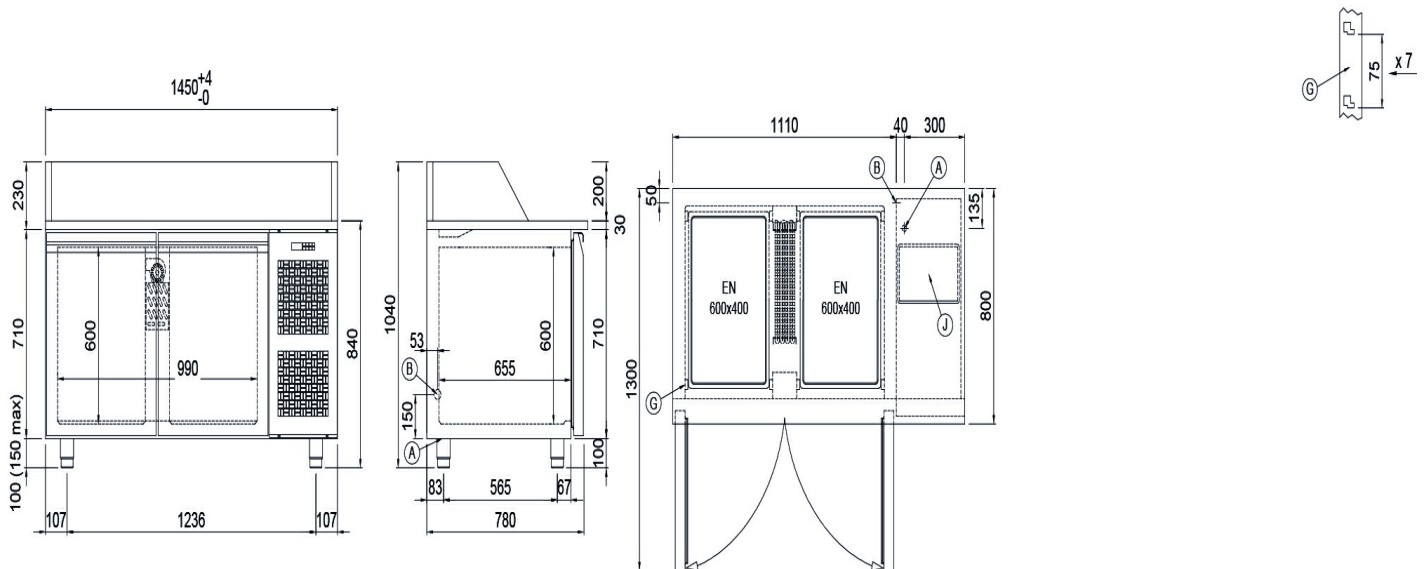
Removable plinth EN 2D h 50 mm
Removable plinth EN 2D h 100 mm
Removable plinth EN 2D h 150 mm

### COSMO - wi-fi control

Cosmo is the wi-fi technology that allow to connect and monitor all Coldline appliances. Connect Pizza counters to a Cosmo hub (MODI, VISION or LEVTRONIC) and from the app you can check the operating conditions of each machine and receive alerts in case of abnormal functioning.

\*The installation requires a kit for the replacement of the racks

## Technical draw



A: Power supply cable outlet

B: Condensation water drain

G: Racks pitch

J: Automatic evaporation of condensing water

In order to constantly offer the best possible products we reserve the right to make changes on technical specifications without incurring any obligation for equipment previously or subsequently sold.