



Client \_\_\_\_\_ Quantity \_\_\_\_\_  
 Project \_\_\_\_\_ Position \_\_\_\_\_

## Master Fish Combi 700 cabinet

**Model:** A70/2PB

**Cod:** A14070360201

Armadio refrigerato Master Fish Combi 700 litri Plug-in, 2 porte con maniglia inox, 2 vani separati con 2 temperature di funzionamento, classe climatica 5 heavy duty e gas refrigerante ecologico R290. Serratura con chiave, illuminazione, piletta di scolo, completo di 2 griglie plastificate GN2/1 e 4 vaschette ABS GN1/1 con falsofondo esterno. Range di temperatura vano A: -6°+4°C; Vano B: -18°-22°C; refrigerazione ventilata. Evaporatori trattati anticorrosione. Struttura monoscocca con isolamento 75 mm. Interno/esterno in acciaio inox AISI 304; schiena esterna, fondo esterno e interno vano tecnico in acciaio galvanizzato/colaminato. Predisposto per collegamento a sistema di supervisione remoto.

### Technical data

<b>Gross capacity:</b>	562 lt
<b>Temperature range:</b>	-6°+4°C/-18°-22°C
<b>Refrigerant unit:</b>	Plug-In
<b>Climate class:</b>	5
<b>Cooling gas:</b>	R290
<b>Defrost:</b>	Hot gas
<b>Valve:</b>	Supplied standard with solenoid
<b>Dimensions (mm):</b>	740×815×2085 mm
<b>Packing dimensions:</b>	835×930×2138 mm
<b>Gross weight:</b>	190 Kg
<b>Voltage:</b>	220-240 V - 50 Hz
<b>Total rate:</b>	720 W
<b>Absorbed Current:</b>	3,3 A
<b>Cooling capacity:</b>	406 W*
<b>Cooling capacity 2:</b>	356 W*
<b>*:</b>	Evap. -10°C/-30°C Cond. +55°C

### Features

<b>Standard equipment:</b>	4 slides for GN2/1 shelves, 2 plastic coated GN2/1 shelves, 4 abs GN1/1 pans, lock with key, LED lighting, water drain
<b>Control:</b>	Electronic, display flush with the panel
<b>Doors:</b>	1 door, self-closing with a 105° stop, right hinged
<b>Door gasket:</b>	Magnetic, triple chamber and easily replaceable
<b>Insulation:</b>	75 mm thickness - CFC/HCFC free
<b>Exterior/interior finishing:</b>	Exterior and interior AISI 304 stainless steel. Back, base and internal technical compartment in galvanized/ colaminated steel.
<b>Inner corners:</b>	Rounded for easy cleaning and ensuring maximum hygiene
<b>Handle:</b>	Stainless steel AISI 304, 2 mm thick
<b>Racks and slides:</b>	Stainless steel AISI 304
<b>Feets:</b>	Stainless steel AISI 304, adjustable h 100-150 mm
<b>Cosmo:</b>	Ready for connection to Cosmo Hub

## Accessories and variants

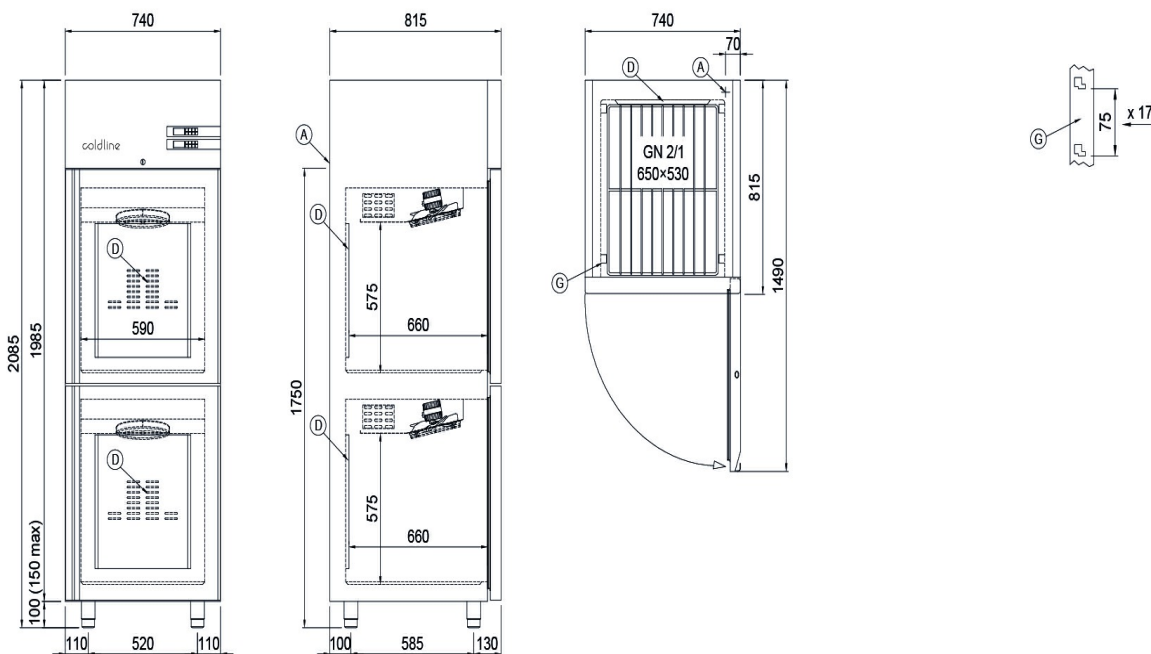
- Power supply frequency 60Hz
- Other special voltage
- Frame for fixed masonry plinth
- RAL customisable colouring
- Master Marine solutions
- Predisposition for connection to CO2 remote control unit
- 4 Swivel and brake castors h 128 mm
- Stainless steel shelf GN2/1
- Plastic coated shelf GN2/1
- Pair of type C slides 605 mm
- Stainless steel drawer, h 150 mm 700/1400
- Bottles shelf, stainless steel coating for shelf 700/1400
- Serial interface, RS485 cable
- Cosmo connection kit
- ABS fish pan GN1/1 with perforated false bottom 2 pieces

### COSMO - wi-fi control

Cosmo is the wi-fi technology that allow to connect and monitor all Coldline appliances. Connect Master cabinets to a Cosmo hub (MODI, VISION or LEVTRONIC) and from the app you can check the operating conditions of each machine and receive alerts in case of abnormal functioning.

\*The installation requires a kit for the replacement of the racks

## Technical draw



**A:** Power supply cable outlet

**D:** Airflow conveyor

**G:** Racks pitch

**P:** Water drain

In order to constantly offer the best possible products we reserve the right to make changes on technical specifications without incurring any obligation for equipment previously or subsequently sold.